



SPEEDALERT 24 RADAR MESSAGE SIGN

SpeedAlert 24 Radar Message Sign

- **SpeedAlert 24 (SA24):** 24" x 60" full matrix
- Folds to fit in police cruiser trunk, SUV. 43lbs
- **Size, weight without battery:**
 - **Open:** 28" x 60" x 1⁵/₈"
 - **Folded Dimensions:** 28" x 30" x 3¹/₄"
- Full matrix display
- **Universal mounting system:** attach to pole, trailer or vehicle hitch mount
- Integral camera for awareness and alert triggered images 640x480 daylight images
- Internal K band radar with adjustable sensitivity
- Power saving circuitry and automatic dimming for ambient light conditions with adjustable dimming range and manual display brightness override
- Meets MUTCD specifications

SpeedAlert Operation Modes

- **Message Mode:** Display one message, up to six (6) screens
- **All Messages:** Sequence all messages in sign memory
- **Speed Display:** Display approaching vehicle's speed with "YOUR SPEED" LED message
- **Dependent Message:** Display targeted messages based upon approaching vehicle's speed
- Changeable speed limit sign
- **Stealth or Display Off:** Collect traffic speed and volume data with no display
- **Schedule:** Change message and/or mode up to 13 times/day
- Collect vehicle volume by speed and time data in all modes
- Sign returns to last configuration when power applied

SpeedAlert Messages

- SA24: 1-3 line messages
 - **1 line:** 24" (H) x 12.5" (W) characters, four per line
 - **2 lines:** 10¹/₄" (H) x 5.75" (W) characters, eight (8) per line



- **3 lines:** 7" (H) x 4" (W) characters, 12 per line
- **2 lines:** (1) 7" char, 12/line, (1) 10¹/₄" char, 8/line
- Up to six (6) screens per message
- Full graphics capability, each LED individually controllable
- Variable display time, flash and reverse rates for each screen
- Scroll through 25 user defined onboard messages using selector buttons built into sign, no training necessary
- Ability to sequence messages for up to 144 screen animation
- Message power efficiency calculator in software
- Actual sign preview and unlimited message storage using TrafficCloud™ Web-based Remote Management Service, ATS PC Sign Manager or ATS Android app
- Messages on sign retained when power removed
- Sign returns to last message when power applied

Engineered and manufactured in the United States of America



SpeedAlert 24

- **Conditional Messaging:** Accept local or remote data and dynamically display messages driven off data, and/or incorporate into messages

SpeedAlert Programming Methods

On-Board Programming (standard on all units)

- Select message from sign's memory
- Select operation mode and speed limit
- Buttons time out to prevent tampering
- TrafficCloud Web-based Remote Management Services using integral cell modem for remote management (see TrafficCloud specification for more information)
- **Turnkey system:** Remote connectivity functional upon ship. Unit connects to TrafficCloud Service when sign powered
- Fully hosted web-based management system
 - Internet connected computer with browser provides anywhere access on all connected devices with browser
 - No IT involvement or support necessary. System bypasses customer network eliminating access issues
 - Cellular provided by ATS, no separate cellular charges
 - Hosted database requires no setup or maintenance by customer

Apps

All apps included in Traffic Suite:

- **Equipment Management:** Online sign management - change messages and settings remotely
- **Reporting:** Online data retrieval, management and analysis, enhanced report generation
- **Image Management:** Online image retrieval and management of images from sign's internal camera
- **Alerts:** Notifications for low battery and tampering, high speed and congestion; Alerts can include images
- **Mapping:** Visually manage equipment and data
- PremierCare Perpetual Warranty

ATS PC Sign Manager

Local Management using PC with USB connection standard with all signs, Bluetooth optional

- PC based client software
- Connect to sign via USB or Bluetooth (optional)

ATS Android App: Local Management (optional)

- Android OS wireless Bluetooth control local to unit
- Android device can be phone or WiFi device with Bluetooth

Local Management Features: (PC and Android)

- Create and change messages, modes and settings
- Local data retrieval and management
- Local image retrieval and management from sign's internal camera

- Manage all unit settings, automatic sync with TrafficCloud Web-based Remote Management Service if subscribed
- All traffic data and messages saved for online management and backup with optional Traffic Suite
 - Retrieve data and save to TrafficCloud at no cost, generate limited reports online from hosted data. Extended reports available with TrafficCloud subscription
 - Create message and save to TrafficCloud library, messages available on all ATS Android App or PC Sign Manager devices with TrafficCloud™ subscription

SpeedAlert Programming

Configure the following parameters via TrafficCloud Web-based Management System, ATS Android App or PC Sign Manager.

- **Messages**
 - Create and load message using "Display Now" feature
 - Load 24 messages into sign's memory
 - Scroll messages in sign's memory
 - Display signs stored in TrafficCloud Web, ATS Android App or PC Sign Manager
- **Speeds**
 - Speed limit
 - Maximum speed displayed
 - Display on/off/specific mph activation
 - Radar sensitivity (range)
 - **Speed limit sign operation:** Change speed limit up to 13 times per day schedule
 - Metric capable display with hundreds digit
- Set time via PC, Android or sync with cell signal (TrafficCloud)
- Sign firmware field and remotely upgradeable

Speed Dependent Message System

- Different messages for each of five speed ranges
 - No cars
 - Cars \leq speed limit
 - Cars $>$ Speed Limit, $<$ x
 - Cars $>$ x $<$ upper speed
 - Cars $>$ upper speed

- Ranges dependent on speed limit setting only, so simple speed limit change adjusts all dependent message ranges
- Independent Maximum Speed Displayed setting
- Speed Dependent Messages can be any SA24 messages, including:
 - "YOUR SPEED" screen with 24" speed display digits
 - "SPEED LIMIT" screen with 24" speed limit display digits

Scheduling

- **All days, Multiple Messages:** Schedule up to 50 different messages or modes for up to 13 different time periods in a 24 hour day, repeats in each 24 hour cycle
- **Seven day, Multiple Messages:** Schedule different messages or modes for up to 13 different time periods in each 24 hour day for each of seven days, repeats in each seven day cycle; up to 50 different messages can be used over the seven day period
- All messages and scheduling reside on the sign – no external hardware necessary
- Program schedule via TrafficCloud Web, ATS Android app or ATS PC Sign Manager, save to load onto multiple signs
- Camera activation controlled in schedule windows
- Internal real time clock, time and schedule maintained with power disconnected

SpeedAlert Data Logging Option

- Traffic reports generated using TrafficCloud Web-based Reporting App
- Collect data automatically with TrafficCloud Remote Management or locally with ATS Android App or PC Sign Manager
- Reports include tables and charts to address all constituents with the most applicable data presentation
- All reports exportable to excel, csv and pdf
- Automatic Data Collection – TrafficCloud Web
 - Data retrieval every 15 minutes – near real time reporting, memory never full
 - All data in one database for analysis filtered by location, date and time
 - Access reports from interactive map view by location

- **Local Data Collection:** ATS Android app or PC Sign Manager
 - All data hosted in online database for anywhere access
 - Download traffic data from sign with USB or Bluetooth connection
 - 30 days of high volume data minimum storage on sign, data collection rolls over when memory reaches capacity
- **Reports, Local Data Collection:**
 - Summary page with average and 85th percentile speed, average daily volume, 10 mph pace speed, high and low speed, display mode
- Traffic counts by speed range, full day and time of day over selected date range with 5 mph resolution
- Vehicle counts by time range per day by hour
- Vehicle counts by speed range and time of day
- **Reports, Automatic Data Collection** (TraffiCloud Web-based Management Services)
 - Enhanced Summary with detail charts and graphs
 - Compliance by speed range with three ranges
 - Enforcement report showing highest speed and volume violators over selected locations
 - Effectiveness report showing program performance

Construction

- **LED Pixels:** Amber 595nm, 30 degree viewing angle, 100,000 hours, black background, (MUTCD compliant)
- **LED Density:** 0.6" x 1" pitch, 26 x 96 pixel matrix
- **Radar:** K Band (24.15 GHz), FCC Certified, no license required, +/-1mph accuracy, 12 degree square pickup area, range: 2000+ ft., 5-150 mph (8-150 kph)
- Conformal coating on all circuit boards
- Integral handles, two heights
- Weatherproof, NEMA 4, IP65 sealed
- 1/8" Tinted, non-glare, UV stabilized polycarbonate face
- Aluminium chassis, 12 ga, black powder coat finish
- Tamper resistant mounting hardware system, hardware secured behind enclosure lock
- -40 to 160 F operating temperature range, 95% humidity non-condensing (-20F for Bluetooth communication, 5F for internal camera)

SpeedAlert Power

- **Power Input, Max:** 12VDC, 8A max, 96 W max; 4A, 48W typical
- Power saving circuitry and automatic dimming for ambient light conditions with adjustable dimming range and manual display brightness override



SpeedAlert 24 on Permant Pole



SpeedAlert 24 on ATS-5 Trailer



SpeedAlert 24 on Portable Pole

- **SpeedAlert 24 Power:**

12VDC locking plug, 30A capacity. Compatible power supplies include:

- Vehicles' power port, with optional adapter
- Trailer wiring adapter for hitch mount
- POWERcase portable power supply, PC26 or PC36
- 120 or 220 VAC Power supply optionally in NEMA four (4) enclosure
- ATS 5 Trailer (batteries with optional solar assist: 235 or 470 Ah, 90W, 120W, or 160W solar options)
- Pole Battery Box: up to 200Ah battery with solar assist
- Battery level indicator on sign, ATS Android app, ATS PC Sign Manager or TrafficCloud Remote Management
- Auto recovery for battery with solar
- Power cable customer replaceable, gold plated connector contacts, high visibility yellow cable

Standard SpeedAlert System Components

- SpeedAlert Radar Message Sign SA24
- ATS PC Sign Manger software with USB cable
- On-Board Controls
- Optional SpeedAlert Components and Features
- TrafficCloud Web-based Remote Management Service
- ATS Android App, Bluetooth connectivity
- Padded carrying case with accessory pockets, shoulder strap
- **Mounting Bracket:**
 - Mounts to pole or any surface using any hardware, no tools required
 - Tamper resistant hardware compartment
 - Rotate bracket for additional 12" of mounting height
 - Aluminium with black powder coat
 - Sign can be locked into bracket
 - Bolt sign to mounting bracket for additional security
 - Mounting hardware supplied
- **Speed Activated Relay Closure:**
 - 7A, 30VDC or 7A 120VAC max, 100mA 5VDC min, no power supplied, simply a contact closure
 - Trigger relay at specified speed with configurable duration from 1 to 10 seconds per radar event
- **Tamper Alarm:** ATS-5 or ATS-3 Trailer

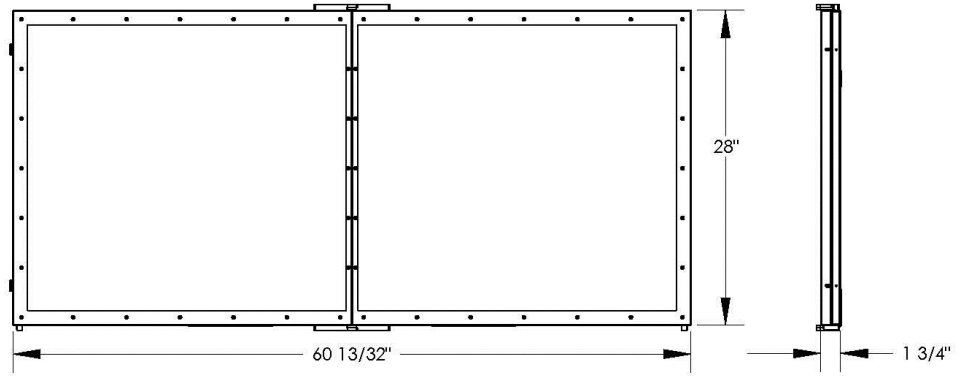
SpeedAlert Mounting Options

- ATS-5 Trailer (*refer to ATS-5 specifications or more information*)
- **Vehicle Hitch Mount:**
 - Mounts sign 30" to bottom of sign from receiver tube (final height dependent on receiver height)
 - Fits 1¼" or 2" receiver, adapter included, ½" hitch pin
 - Locking rotation adjustment on 15 degree increments over 180 degrees, +/- 5 degrees tilt
 - White powder coat finish with rear reflector
- **Standard Folding Portable Post:**
 - Folds for easy storage and portability
 - 47" to 60" to bottom, 73" to 86" to top depending on leg positions; rotate bracket for additional 12" height
 - Mounting provisions for permanent applications with ¼-20 threaded holes

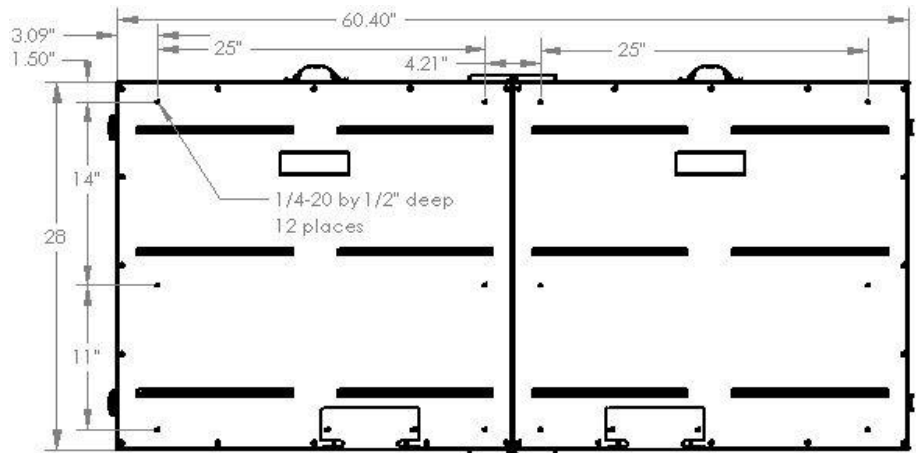
Warranty

- **PremierCare Perpetual Warranty** available with current TrafficCloud subscription. Ask your ATS sales representative for details.
- **ATS 3-year Manufacturer's Warranty** comes standard on all SpeedAlert radar speed displays purchased after January 1, 2019.

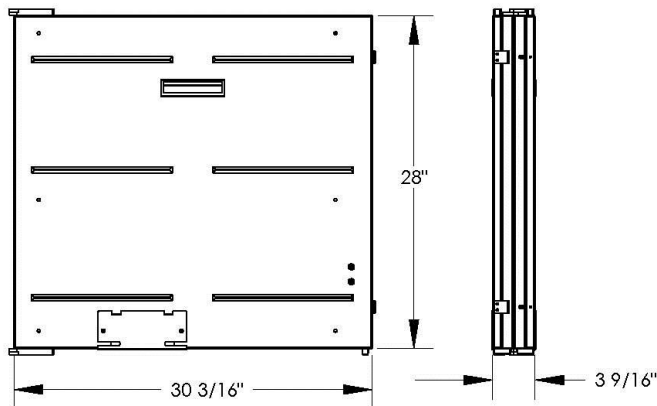
SpeedAlert 24 Dimensions: Folded



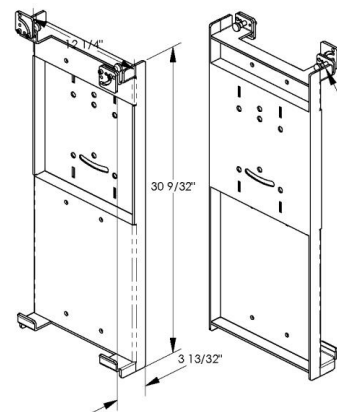
SpeedAlert 24 Mounting Hole Positions



SpeedAlert Dimensions: Open



Mounting Plate



For more information visit us online

 sales@alltrafficsolutions.com  Call us at 866.366.6602

All Traffic Solutions, 14201 Sullyfield Circle, Suite 300, Chantilly, VA 20151

©All Traffic Solutions TraffCloud leverages our patented technology (US Patents 8417442; 8755990; 9070287; 9411893) to deliver unique cloud-based management, features and functionality. TraffCloud is a registered trademark of All Traffic Solutions.

