



## Introduction

ATS 3 is compatible with the following products:

- Shield 12 (Sh12) radar speed display
- Shield 15 (Sh15) radar speed display
- SpeedAlert 18 (SA18) radar message sign
- InstAlert 18 (IA18) variable message sign

## Features

- **Trailer weight:** 475lbs / 215.46kg (including trailer and sign, with integrated solar system)
- **Tongue weight:** 20lbs / 9.07kg
- **Dimensions:** 88.37" (L) × 56.43" (W) × 84.4" (H)
- **Ground clearance:** 13" under chassis
- 5" minimum to bottom of sign
- Continuous welded steel frame; white marine grade powder coat finish
- **Wheels:** 4.80" × 12" steel-belted trailer tires, load rating B Size-12"
- Replaceable steel fenders
- **Axle:** 1000lbs torflex
- Two 2000lbs / 907kg capacity swivel jacks mounted on each rear corner and one 2000lbs / 907kg capacity A-jack mounted on the tongue
- Theft-proofing lockable tongue coupler and wheel locking rod
- Safety chain, 30" with hooks
- DOT-approved lighting and recessed tail lights
- DOT-approved red/white reflective tape
- License plate holder with light

## Power

- 12 VDC system, Std 4 pin wiring plug
- 90W solar assist with 10 Amp solar controller to prevent over charging



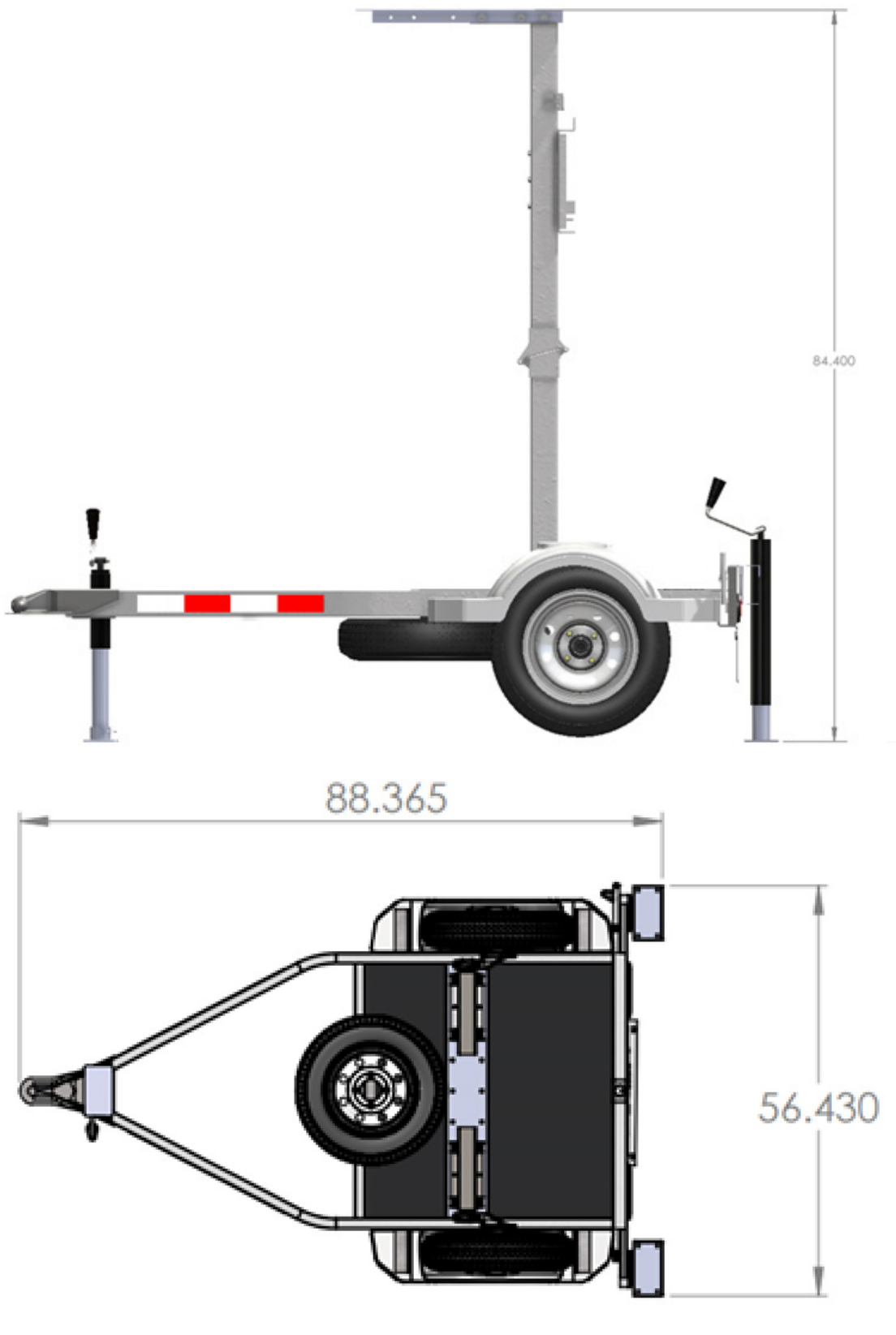
- Solar panel continuously charges
- Keyed on/off power switch

## Options

- 18" × 24" speed limit sign and interchangeable digits for 5-65 mph display
- Spare tire
- Orange powder coat finish (minimum order qty)

## Warranty

- 1 year warranty



For more information visit us online

 [sales@alltrafficsolutions.com](mailto:sales@alltrafficsolutions.com)  Call ATS on 866.366.6602

All Traffic Solutions, 14201 Sullyfield Circle, Suite 300, Chantilly, VA 20151

©All Traffic Solutions TraffiCloud leverages our patented technology (US Patents 8417442; 8755990; 9070287; 9411893) to deliver unique cloud-based management, features and functionality. TraffiCloud is a registered trademark of All Traffic Solutions.

