



## PRODUCT SPECIFICATIONS:

# INSTALERT VARIABLE MESSAGE SIGN

### InstAlert Variable Message Sign

- **Open Dimensions:** 15/8" x 28" x 60"
- **Folded Dimensions:** 3 1/4" x 28" x 30"
- Folded sign fits in police cruiser trunk, SUV hatch
- **Full Matrix Display:** 26 x 96 pixels, 0.6"x1" pitch
- **LED Pixels:** Amber 595nm, 30 degree viewing angle, 100,000 hours, black background, MUTCD compliant color, universal display modules
- Meets MUTCD specifications
- On-board message selector buttons to select between 25 internal messages and modes with anti-tamper lockout
- Local and remote management and monitoring options
- Sign has integral active cell modem allowing TraffiCloud™ Web-based Management Services for remote management
- Integral camera for awareness and alert driven images
  - o 640 x 480 daylight images
- Power saving circuitry and automatic dimming for ambient light conditions with adjustable dimming range and manual display brightness override
- Conformal coating on all circuit boards
- Integral case handles and nylon web handles
- **Weight:** 43 lbs
- Weatherproof, inherently sealed design
- 1/8" tinted, non-glare, UV stabilized polycarbonate face
- Entire face removable for service
- Aluminium chassis, 12 ga., Black powder coat finish
- Mounting provisions for permanent applications, (12) 1/4"-20 threaded holes
- -40 to 160 F operating temperature range, 95% humidity, non-condensing (-20F for Bluetooth comm.)
- Withstands 70 mph winds

### InstAlert Operation Modes

- **Message Mode:** Display one message, up to six screens
- **All Messages:** Sequence all messages in sign memory
- **Schedule:** Change message and/or mode up to 13 times/day
- Speed based modes available in the SpeedAlert 24 configuration
- Sign returns to last configuration when power applied

### InstAlert Messages

- **1-3 line messages**
  - o **1 line:** 24" H x 12.5" W characters, four per line
  - o **2 lines:** 10 1/4" H x 5.75" W characters, eight per line
  - o **3 lines:** 7" H x 4" W characters, 12 per line
  - o **2 lines:** (1) 7" char, 12/line, (1) 10 1/4" char, 8/line
- Up to six screens per message
- Message power efficiency calculator in software
- Variable display time, flash and reverse rates for each screen
- Full graphics capability, each LED individually controllable, programmable from PC, PDA or remotely
- Ability to link multiple messages for up to 144 screen animation
- Scroll through 25 user defined onboard messages using selector buttons built into sign, no training necessary; buttons on unit become inactive after timeout to prevent tampering, reactivate by reapplying power
- Unlimited message storage on PC, Android device or remote server
- Messages on sign do not get erased when power removed
- Sign returns to last message when power applied

# Compatible with these ATS Products

Engineered and manufactured in the United States of America



InstAlert 24 on Portable Post



InstAlert 24 on ATS-5

- Actual sign preview on PC, Android or TraffiCloud

## InstAlert Programming

### Program and Monitor the Sign Three Ways:

On-Board programming (standard on all units)

- Select message from sign's memory
- Select operation mode

## TraffiCloud Web-based Management Services using integral cell modem for remote management (See TraffiCloud specification for more information):

- Turnkey system. Remote sign connection functional upon ship. Unit connects to TraffiCloud system when sign powered
- Fully hosted web-based management system
  - o Internet connected computer with browser provides anywhere access on all browser capable, connected devices.
  - o No IT involvement or support necessary. System bypasses customer network eliminating access issues
  - o Cellular provided by ATS, no separate cellular charges
  - o Hosted database requires no setup or maintenance by customer
- **Apps:** All apps included in message suite:

- o **Equipment Management:** Change messages and settings remotely, monitor sign online
- o **Image Management:** Online image retrieval and management of images from internal camera
- **Alerts:** Notifications for low battery and tampering, alerts can include images
- **Mapping:** Visually manage equipment and data
- PremierCare perpetual warranty

## ATS PC Sign Manager

Local Management using PC with USB connection standard with all signs

- PC based client software
- Connect to sign via USB or Bluetooth (optional)

## ATS Android App: Local Management (optional):

- Android OS wireless Bluetooth control local to unit
- Android device can be phone or WiFi device with Bluetooth

## Local Management Features:

- Create and change messages, modes and settings
- Local image retrieval and management from internal camera
- Manage all unit settings, automatic sync with TraffiCloud Web Based Management
- All traffic data and messages can be saved for online

management and backup with optional TrafficCloud Message Suite

- o Create message and save to TrafficCloud library, messages available on all ATS Android App or PC Sign Manager devices
- Sign firmware field and remotely upgradeable

### InstAlert Settings

- Configure the following parameters via PC, Android or TrafficCloud Web-Based Management System:
  - o Load instaMESSAGE using 'Display Now' feature
  - o Load 24 messages into sign's memory
  - o Scroll messages in sign's memory
  - o Display signs from server or local device memory
  - o Set sign mode
  - o Upload schedule
  - o Set automatic dimming range minimum and maximum levels or manually override display brightness
- Internal real time clock, time maintained with power disconnected
- Set time via local device or sync with cell signal

### Scheduling

- **All days, Multiple Messages:** Schedule up to 50 different messages or modes for up to 13 different time periods in a 24 hour day, repeats in each 24 hour cycle
- **Seven Day, Multiple Messages:** Schedule different messages or modes for up to 13 different time periods in each 24 hour day for each of seven days, repeats in each seven day cycle; up to 50 different messages can be used over the seven day period
- All messages and scheduling reside on the sign – no external hardware necessary
- Program schedule via TrafficCloud Web, ATS Android app or ATS PC Sign Manager, Save to load onto multiple signs
- Camera activation controlled in schedule windows
- Internal real time clock, time and schedule maintained with power disconnected

### Data Logging Option for InstAlert units with the optional internal radar option – SpeedAlert 24

- Upgrade to the SpeedAlert 24, adding traffic radar to the InstAlert to enable collection of traffic data

and speed display functionality

- Refer to the SpeedAlert 24 specification sheet for more information

### InstAlert Sign Power

- **Power Input, Max:**
  - 12VDC, 8A max, 96 W max; 4A, 48W typical
- Power saving circuitry and automatic dimming for ambient light conditions with adjustable dimming range and manual display brightness override
- **InstAlert 24 Power:**
  - o **12VDC Locking Plug, 30A Capacity:** Compatible power supplies include:
    - o Vehicle's power port, with optional adapter
    - o Trailer wiring adapter for hitch mount
    - o POWERcase portable power supply, PC26 or PC36
    - o 120 or 220 VAC Power supply in NEMA 4 enclosure
    - o ATS 5 Trailer (batteries with optional solar assist: 235 or 470 Ah, 60W solar option)
    - o Pole battery box: 156Ah battery with solar assist
- Battery level indicator on sign, ATS Android app, ATS PC Sign Manager or TrafficCloud Remote Management
- Auto recovery for battery with solar
- Power cable customer replaceable, gold plated connector contacts, high visibility yellow cable

### Standard InstAlert System Components

- InstAlert Variable Message Sign IA24
- ATS PC Sign Manger software with USB cable
- On-Board Controls

### InstAlert Mounting Options

- ATS-5 Trailer (refer to ATS-5 specifications for more information)
- Options using the InstAlert mounting bracket
- Hitch mount
- o **Sign Height:** 25" to bottom, 53" to top of sign from receiver tube (final height dependent on receiver height, flip mounting bracket for an additional 12")
  - o Fits 1 ¼" or 2" receiver, adapter included
  - o ½" hitch pin
  - o Locking rotation adjustment on 15 degree increments over 180 degrees,
  - o +- 5 degrees tilt to adjust LED aim for maximum brightness

- o White powder coat finish with rear reflector
- o Not intended for operation above 15 mph
- **Telescoping Hitch Mount**
  - o All features of standard hitch mount, plus
  - o **Sign Height:** 53" to bottom, 81" to top of sign from receiver tube (final height dependent on receiver height, flip mounting bracket for an additional 12")
- **Standard Folding Portable Post:**
  - o Folds for easy storage and portability
  - o 42" to 55" to bottom, 70" to 83" to top of sign depending on leg positions, rotate bracket for additional 12"
- o Mounts to pole or any surface using any hardware, no tools required
- o Tamper resistant hardware compartment
- o Rotate bracket for additional 12" of mounting height
- o Aluminium with black powder coat
- o Sign can be locked into bracket
- o Bolt sign to mounting bracket for additional security
- o Mounting hardware supplied
- Internal radar allowing for speed display, speed dependent messaging and speed and volume data collection - SpeedAlert 24
- Drive Times sensor-free Time to Destination Service – Travel time data sent to sign every minute

**Optional InstAlert Sign Components and Features**

- TrafficCloud Web-Based Remote Management Service
- ATS Android App, Bluetooth connectivity
- Padded carrying case with accessory pockets, shoulder strap
- **Mounting Bracket**

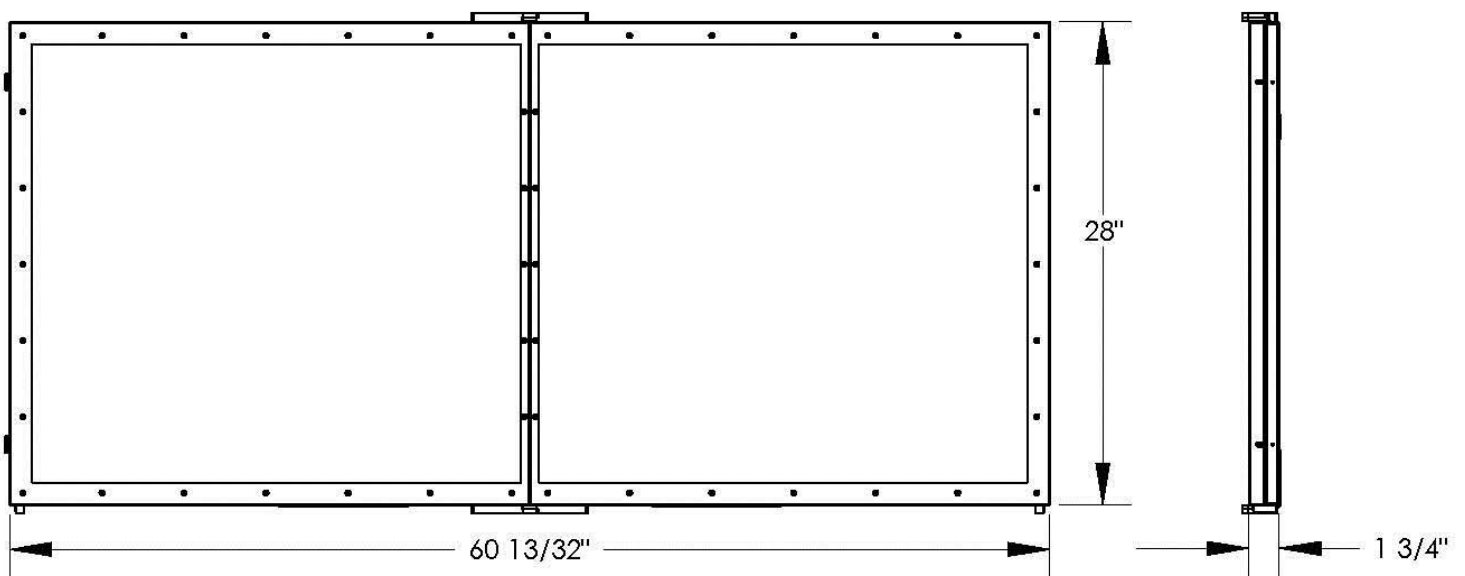
**Warranty**

- 1-year warranty (three months on Li-Ion batteries)

**PremierCare**

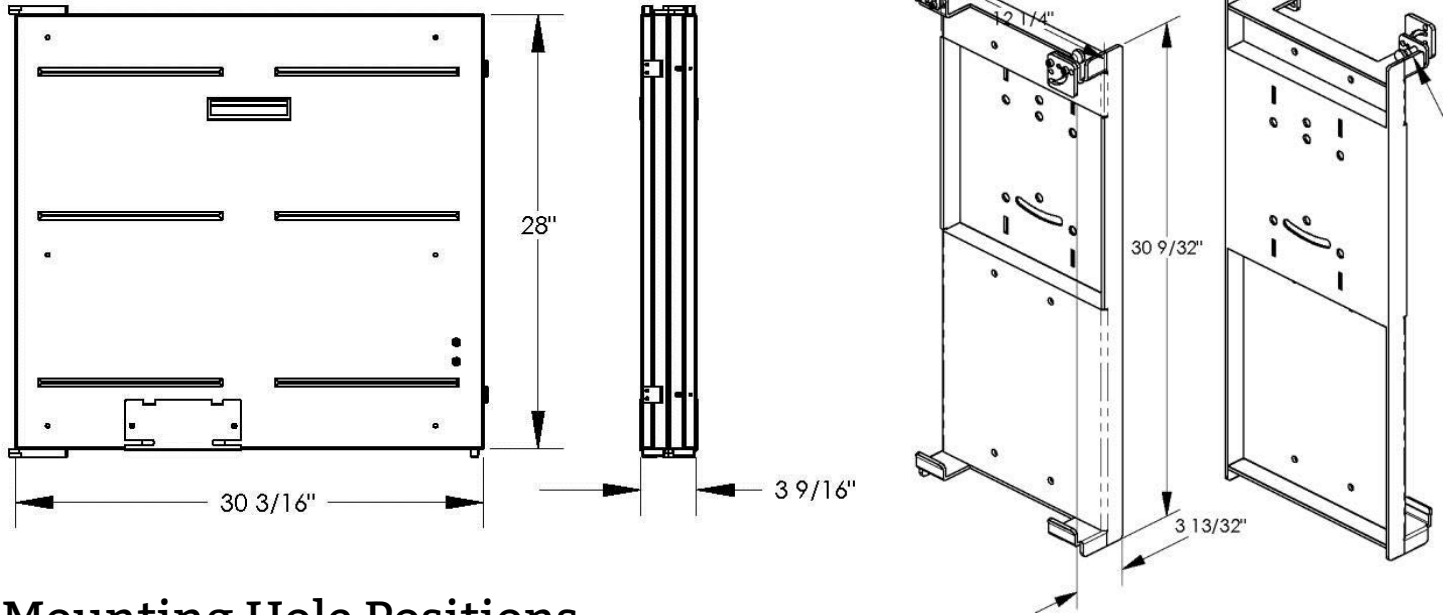
- o Extended warranty
- o Product software upgrades free
- o Vandalism and accidental damage (non-warranty) at 50% off list price

**InstAlert Dimensions: Open**

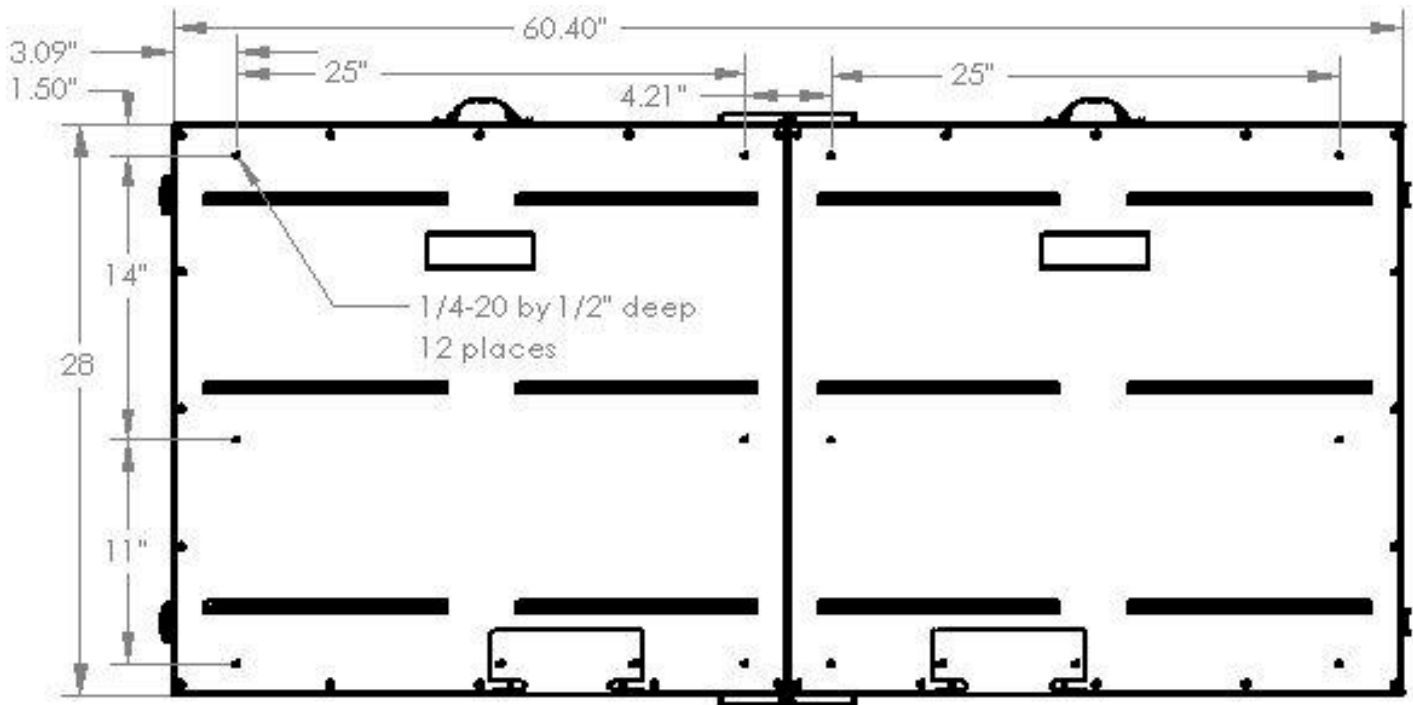


### InstAlert Dimensions: Folded

### Dimensions: Mounting Plate



### Mounting Hole Positions



All Traffic Solutions 12950 Worldgate Drive, Suite 310, Herndon, VA 20170

Phone 866.366.6602 | [sales@alltrafficsolutions.com](mailto:sales@alltrafficsolutions.com) | [AllTrafficSolutions.com](http://AllTrafficSolutions.com)

©All Traffic Solutions

TraffiCloud leverages our patented technology (US Patents 8,417,442; 8,755,990; 9,070,287; 9,411,893) to deliver unique cloud-based management, features and functionality.