



PRODUCT SPECIFICATIONS:

ATS 3 TRAILER

Compatible, interchangeably, with the following products:

- o Shield 15 (Sh15) Radar Speed Display
- o SpeedAlert 18 (SA18) Radar Message Display

Weight

- o 350# with 100Ah battery capacity and SA18
- o Add 40# for 40W solar panel
- Tongue weight: 20 lbs.
- Dimensions: 61.5" long x 62.5" wide x 72" high
- Rotate sign for display or travel position
- Removable tongue for 2" ball, lockable
- Storage for tongue by putting it in the receiver sideways, making attachment impossible
- Aluminum diamond plate battery compartment with vented battery chamber, charger/accessories chamber and aluminum diamond plate lid
- Continuous weld steel frame, White marine grade powder coat finish

Wheels

- 12", 5 bolt steel rims with 4.5" bolt circle
- Ground clearance: 9.75 under axle, 19 under chassis
- Replaceable steel fenders, weight supporting
- Locking wheel lug bolts, 1 per wheel, w/ removal tool
- **Axle:** 2000# leaf spring
- **Jacks:** 4, Retractable crank type, fully adjustable at each corner, 1500 lb capacity each
- DOT-approved lighting
- Safety chains, 30" with hooks
- DOT-approved red/white reflective tape
- License plate holder with light

ATS 3 Trailer Power

- 12 VDC system, Std 4 pin wiring plug
- 100Ah, 12VDC battery, Absorbed Glass Mat, sealed
- 20A time delay fuse on battery supply
- 40W solar assist with 6A solar controller to prevent overcharging
- Solar panel charges while sign stowed or deployed
- 6 Amp 120VAC automatic charger
- Switch to control power to sign

ATS 3 Trailer Options

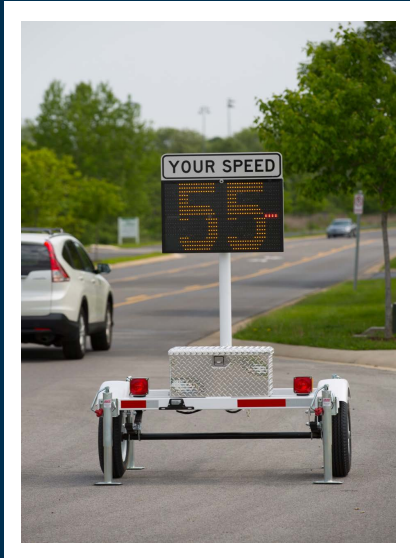
- 30" x 36" speed limit sign and interchangeable digits for 5-65 mph display, digit storage in battery compartment
- Low Voltage Disconnect solar controller to turn off sign if power falls below 11.5VDC (decreases run time)
- Orange powder coat finish (minimum order qty)
- Tamper alarm with adjustable sensitivity
- Wheel lock bar

Warranty

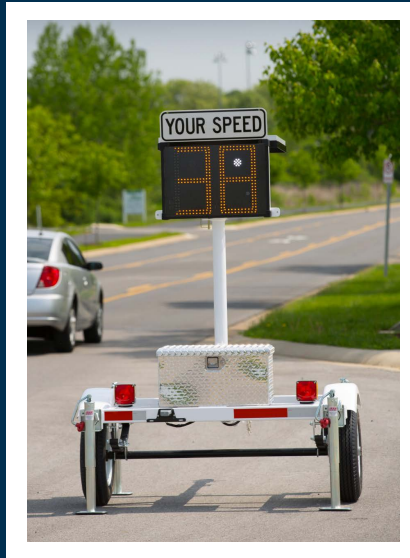
- 1-year warranty (three months on batteries)

Compatible with these ATS products:

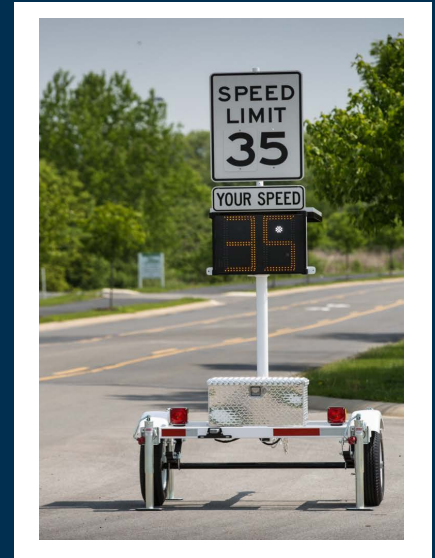
ATS 3 TRAILER WITH SPEEDALERT 18



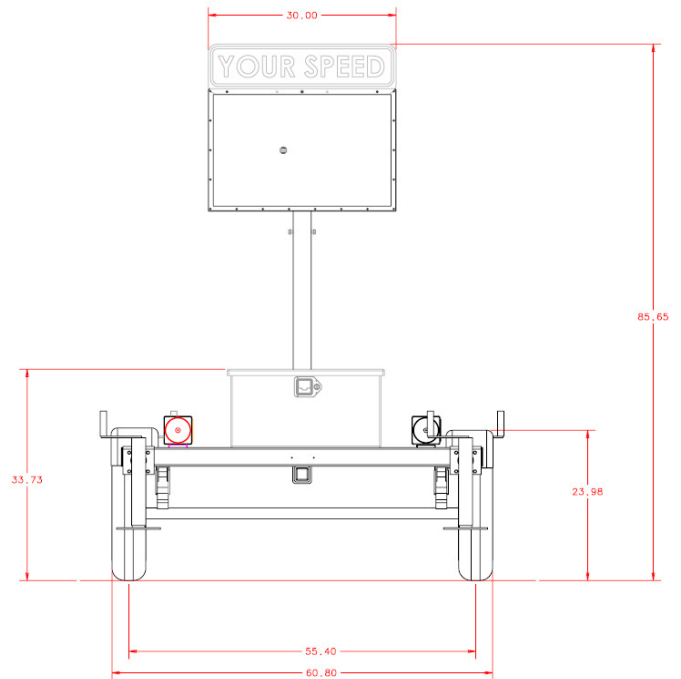
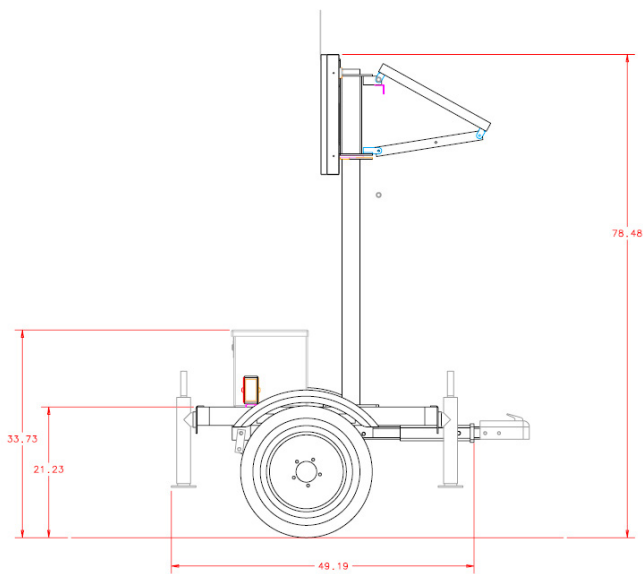
ATS 3 TRAILER WITH SHIELD 15 RADAR SPEED SIGN



ATS 3 TRAILER WITH SHIELD 15 and SPEED LIMIT SIGN



ATS 3 Trailer Dimensions



All Traffic Solutions 12950 Worldgate Drive, Suite 310, Herndon, VA 20170
Phone 866.366.6602 | sales@alltrafficsolutions.com | AllTrafficSolutions.com

©All Traffic Solutions
TraffiCloud leverages our patented technology (US Patents 8,417,442; 8,755,990; 9,070,287; 9,411,893) to deliver unique cloud-based management, features and functionality.