

ATS 5 Trailer

- Compatible, interchangeably, with the following products:
 - instALERT portable VMS
 - SPEEDsentry Shield 18", 15" or 12" Speed Display
 - Speed Dependent Messaging System
 - Shield 18 with Message Matrix
- 5' to bottom of SPEEDsentry, 57" to bottom of instALERT variable message sign
- Weight:
 - 600# with 100Ah battery capacity and Sh18
 - 620# with 235Ah battery capacity and Sh18
 - 760# with 470Ah battery capacity instALERT
 - Add 130# for additional battery pair
 - Add 60# for 120W solar panel
 - Add 40# for 65W solar panel
- Tongue weight: 20 pounds
- Dimensions: 61.5" long x 62.5" wide x 64" high (stowed)
- Simple manual lever lift system for 1 person setup
- Removable tongue for 2" ball, lockable
- Storage for tongue and lift bar in locked battery compartment
- 16 ga. steel locking battery compartment with vented battery chamber, charger/accessories chamber and 1/8" aluminum diamond plate lid
- Continuous weld steel frame, White marine grade powder coat finish
- Wheels: 12", 5 bolt steel rims with 4.5" bolt circle
- Ground clearance: 9.75 under axle, 19 under chassis
- Replaceable steel fenders, weight supporting
- Locking wheel lug bolts, 1 per wheel, w/ removal tool
- Axle: 2000# leaf spring
- Jacks: 4, Retractable crank type, fully adjustable at each corner, 1500 lb capacity each
- Recessed tail lights and DOT approved lighting
- Safety chains, 30" with hooks
- DOT Approved red/white reflective tape
- License plate holder with light

ATS 5 Trailer Power

- 12 VDC system, Std 4 pin wiring plug
- 100Ah, (2) 12VDC batteries in parallel, Absorbed Glass Mat, sealed
- 235Ah or 470Ah batteries, (2) 6VDC batteries in series, deep cycle marine (130 lbs per pair, 2 pair max)
- 20A time delay fuse on battery supply
- 65W solar assist or 120W solar assist with 20A solar controller to prevent overcharging
- Solar panels charge while sign stowed or deployed
- 10 Amp 120VAC automatic charger with externally accessible AC connection
- Receptacle for instALERT plug (iA configuration)

- Standard wiring for Shield, SpeedALERT SZ and solar option

ATS 5 Trailer Options

- 30" x 36" speed limit sign and interchangeable digits for 5-65 mph display and locking hitch pin for display and stowing and digit storage in battery compartment
- Low Voltage Disconnect solar controller to turn off sign if power falls below 11.5VDC (decreases run time)
- 2 5/16 ball or pintle hook, adjustable height, on removable tongue
- Orange powder coat finish (minimum order qty)
- AGM sealed batteries for lower temperature use, -40F (185Ah per pair, 370Ah max)
- Tamper alarm with adjustable sensitivity
- Wheel lock bar
- '7' digit for speed limit sign
- 14" tires and fenders
- Speed Dependent Messaging Option



ATS 5 with instALERT and Shield – SpeedALERT configuration

Warranty

- 1 year warranty (3 months on batteries)

Made in the United States of America

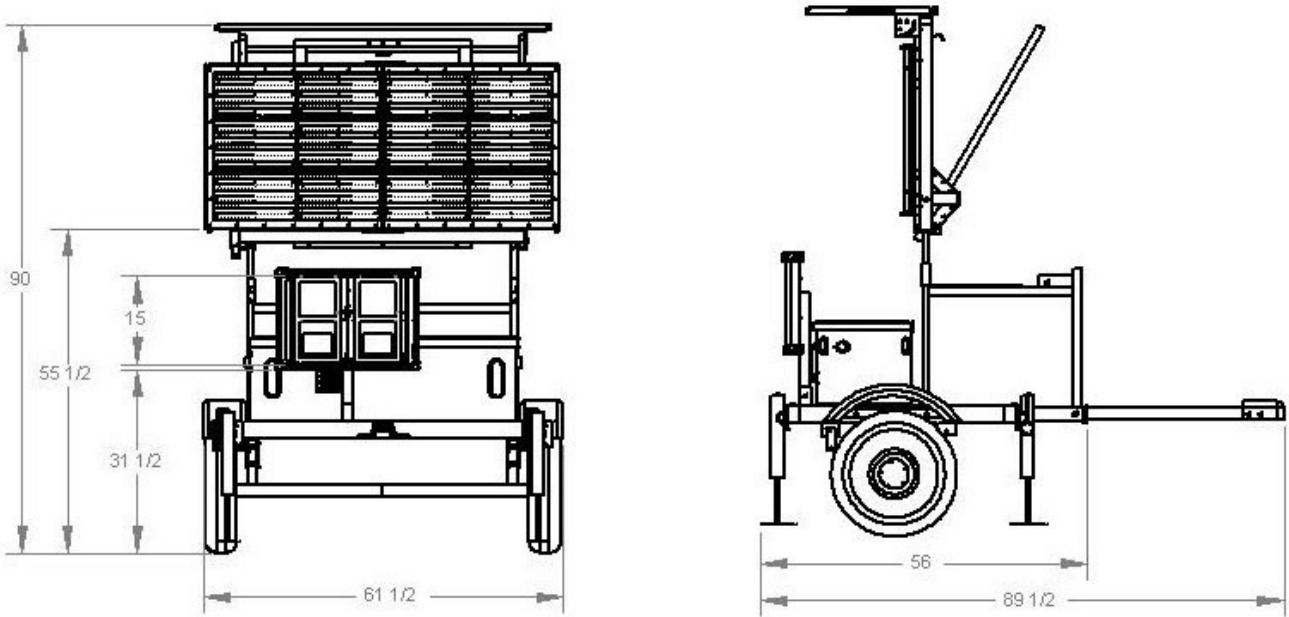


ATS 5 with SPEEDsentry Radar Speed Display



ATS 5 with SpeedALERT SZ Speed Conditional Messaging

ATS 5 Trailer, Deployed with Speed Dependent Messaging System (instALERT VMS and SPEEDsentry Shield)



ATS 5 Trailer, Stowed with Speed Dependent Messaging System (instALERT VMS and SPEEDsentry Shield)

